

Push Switches

Tactile DDP : JPM (DDP) Series

■ Features

1. Compact, low-profile design ideal for high-density mounting.
2. Available in two types: discrete and surface-mount.
3. Achieves splash resistance using rubber components.

■ Specifications

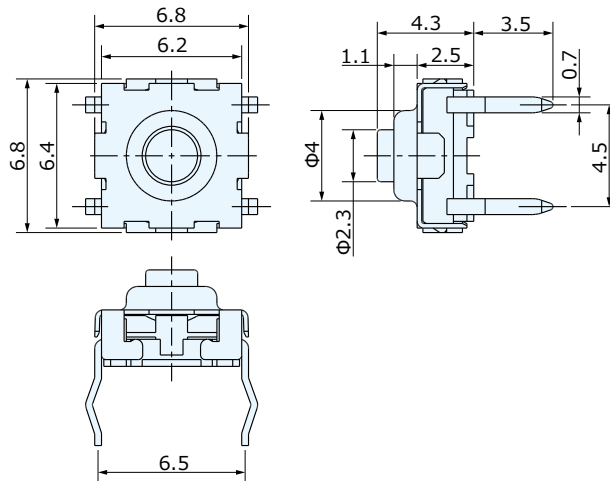
- External Dimension : 6.8×6.8×4.3mm
- Rating : DC 12V, 50mA
- Circuit : SPST
- Life Cycle : 300,000 cycles
- Operating Force : 1.57N
- Travel : 0.3mm
- Packing Quantity : Discrete Type 500pcs/Pack
Surface Mount Type 1,500pcs/Reel

■ Product Lineup

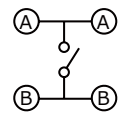
Drawing No.	Terminal Type
JPM1120-0101F	Surface Mount Type
JPM1120-1011F	Discrete Type



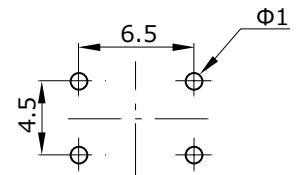
Outline Drawing : Discrete Type



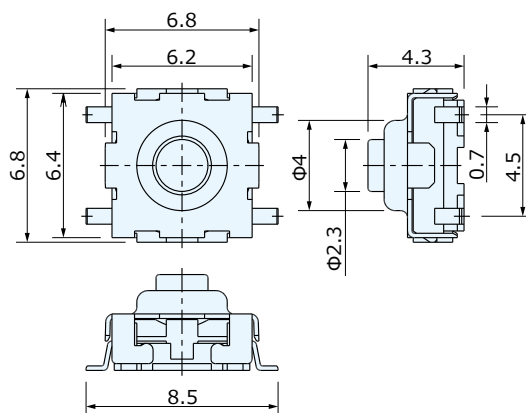
Circuit : SPST



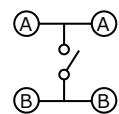
P. C. Board Dimension



Outline Drawing : Surface Mounting Type



Circuit : SPST



P. C. Board Dimension

