

# Push Switches

## HCF Switch : JPM (HCF) Series

### ■ Features

1. Compact, low profile design ideal for high-density mounting.
2. Low profile and sharp click feeling.
3. A wide range of operating forces, from 1.0N to 4.8N, is available.

### ■ Specification

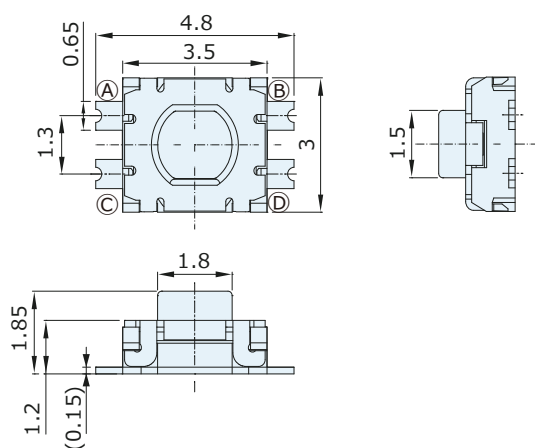
- External Dimension : 3.5×3.0×1.85mm
- Rating : DC 12V, 50mA
- Circuit : SPST
- Life Cycle : 200,000 cycles
- Operating Force : 1.0N, 1.7N, 2.4N, 3.4N, 4.8N
- Travel : 0.13mm/0.17mm
- Packing Quantity : 4,500pcs/Reel

### ■ Product Lineup

Drawing No.	Operating Force	Travel
JPM1991-1711F	1.0N	0.13mm
JPM1991-0411F	1.7N	0.17mm
JPM1991-0611F	2.4N	0.17mm
JPM1991-0511F	3.4N	0.17mm
JPM1990-8413F	4.8N	0.17mm



### Outline Drawing



### Circuit : SPST



### P.C. Board Dimension

