

Push Switches

Tactile Switches (SMD) : JPM (SMD) Series

■ Features

1. Compact, low-profile design ideal for high-density mounting.
2. Grounding-terminal option available for ESD protection.
3. Long life cycle of up to 1,000,000 cycles in a compact form factor.

■ Specifications

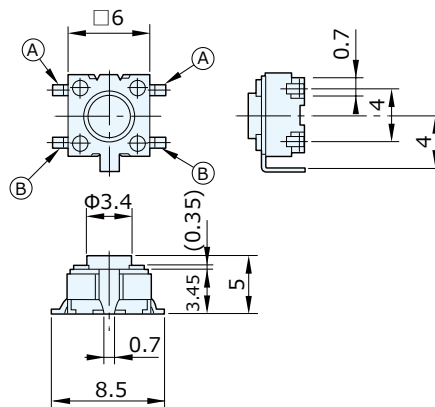
- External Dimension : 6.0×6.0×5.0mm
- Rating : DC 12V, 50mA
- Circuit : SPST
- Life Cycle : 1,000,000 cycles
- Operating Force : 1.4N, 2.8N
- Travel : 0.25mm/0.22mm
- Packing Quantity : 1,500pcs/Reel

■ Product Lineup

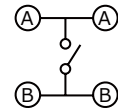
Drawing No.	Ground Type	Force	Travel
JPM1030-1011F	Grounded	1.4N	0.25mm
JPM1030-0911F	Non-Grounded	1.4N	0.25mm
JPM1030-1911F	Non-Grounded	2.8N	0.22mm



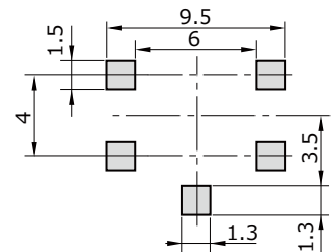
Outline Drawing : Grounded



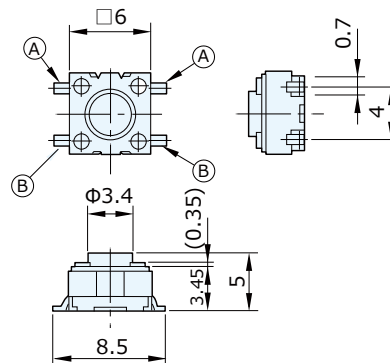
Circuit : SPST



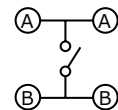
P. C. Board Dimension



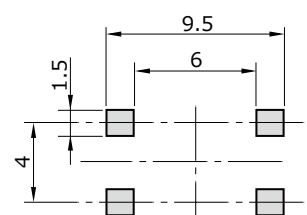
Outline Drawing : Non-Grounded



Circuit : SPST



P. C. Board Dimension



Push Switches

Tactile Switches (SMD) : JPM (SMD) Series

■ Features

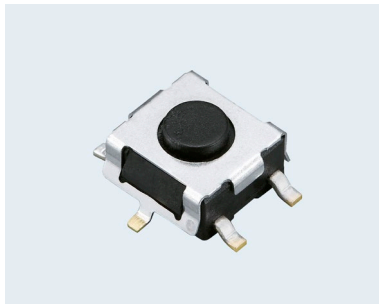
1. Compact, low-profile design ideal for high-density mounting.
2. Grounding-terminal option available for ESD protection.

■ Specifications

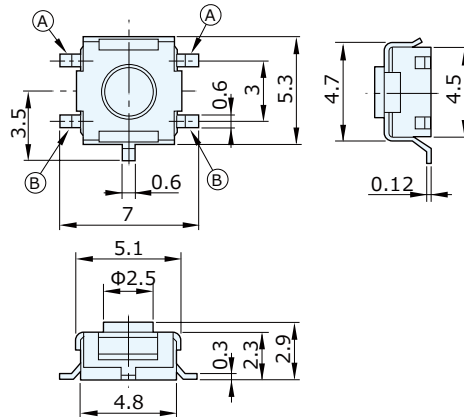
- External Dimension : 5.3 x 5.1 x 2.9mm
- Rating : DC 12V, 10mA
- Circuit : SPST
- Life Cycle : 100,000 cycles
- Operating Force : 1.2N
- Travel : 0.2mm
- Packing Quantity : 2,500pcs/Reel

■ Product Lineup

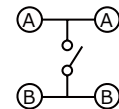
Drawing No.	Ground Type
JPM1110-0811F	Grounded
JPM1110-0711F	Non-Grounded



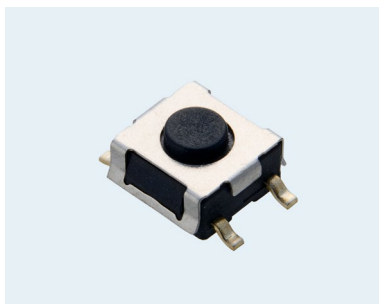
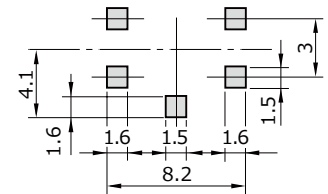
Outline Drawing : Grounded



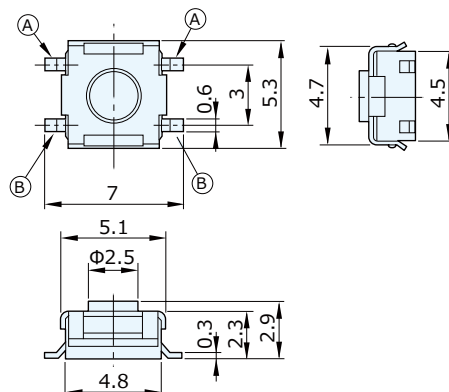
Circuit : SPST



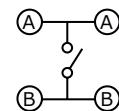
P. C. Board Dimension



Outline Drawing : Non-Grounded



Circuit : SPST



P. C. Board Dimension

